

Receiver Kit

INSTALLATION MANUAL

(PART NO. 9378782037)

For authorized service personnel only.

WARNING This mark indicates procedures which, if improperly performed, might lead to the death or serious injury of the user.

- ① For the air conditioner to operate satisfactorily, install it as outlined in this installation manual.
- ② Installation work must be performed in accordance with national wiring standards by authorized personnel only.
- ③ Do not turn on the power until all installation work is complete.

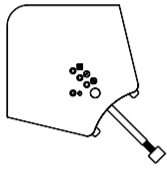
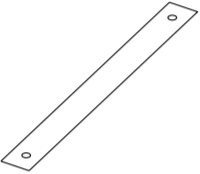
• Let the customer keep this installation manual because it is needed when the air conditioner or receiver kit is serviced or moved.

CAUTION This mark indicates procedures which, if improperly performed, might possibly result in personal harm to the user, or damage to property.

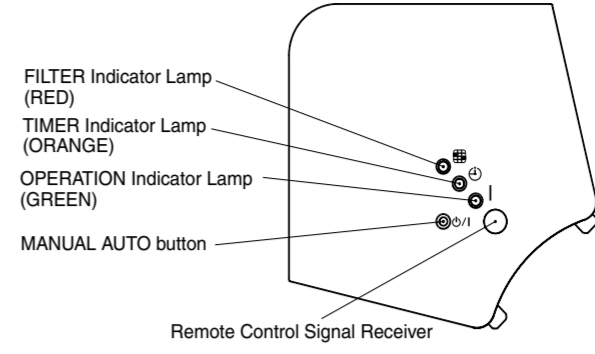
- ① Do not wire the receiver kit wire together with or parallel to the connection cables, transmission cords, remote controller cords, bus wire and power supply cords of the indoor and outdoor units. It may cause erroneous operation.
- ② Do not install the receiver kit wire near a source of electromagnetic waves.

1 STANDARD PARTS

The following installation parts are supplied. Use them as required.

Name and Shape	Q'ty	Application
 Receiver unit	1	For receiving the signal from the remote control unit
 Strap	1	Prevent receiver kit from falling down

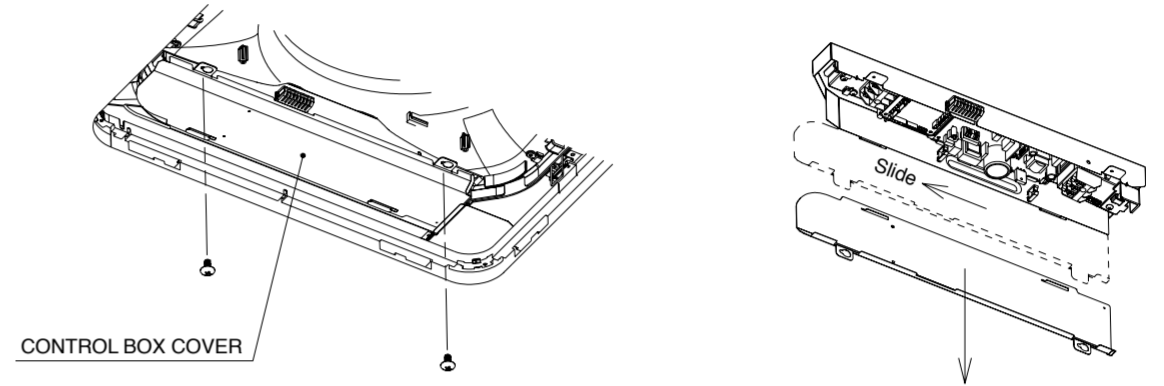
2 FUNCTIONS



3 INSTALLING THE RECEIVER KIT

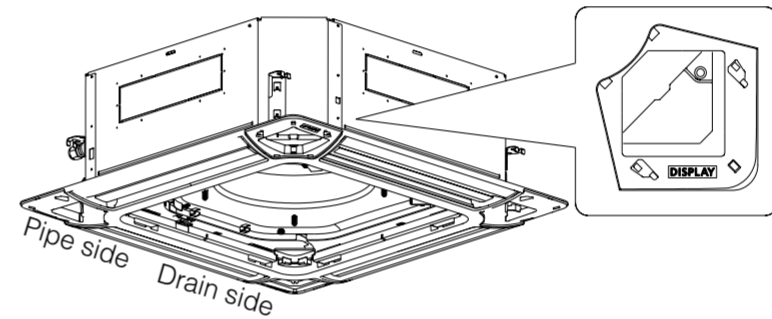
1. REMOVING THE CONTROL BOX COVER

- ① Remove the screws.(2 places)
- ② Slide the CONTROL BOX COVER in the direction of the arrow.
- ③ Remove the CONTROL BOX COVER.



2. INSTALLING THE RECEIVER UNIT

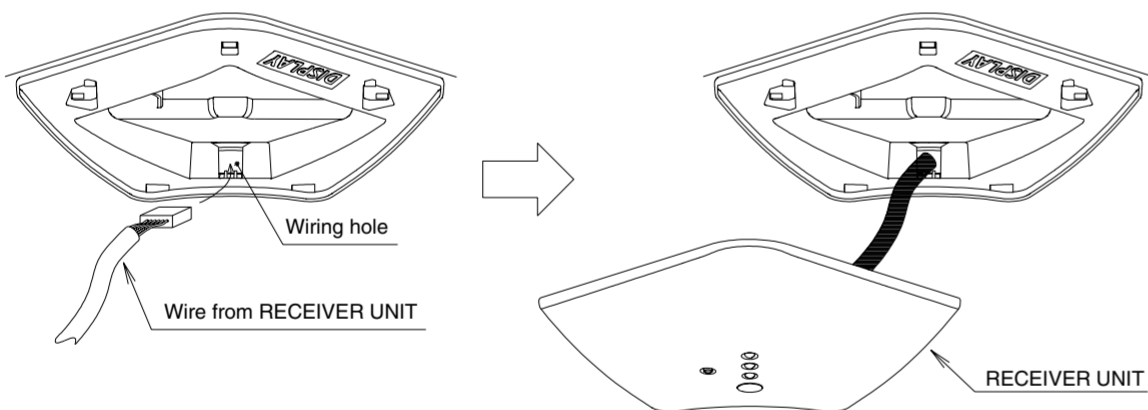
- ① Mount the corner (figure to the drainpipe) of the decoration panel that has the "DISPLAY" mark onto the RECEIVER UNIT.



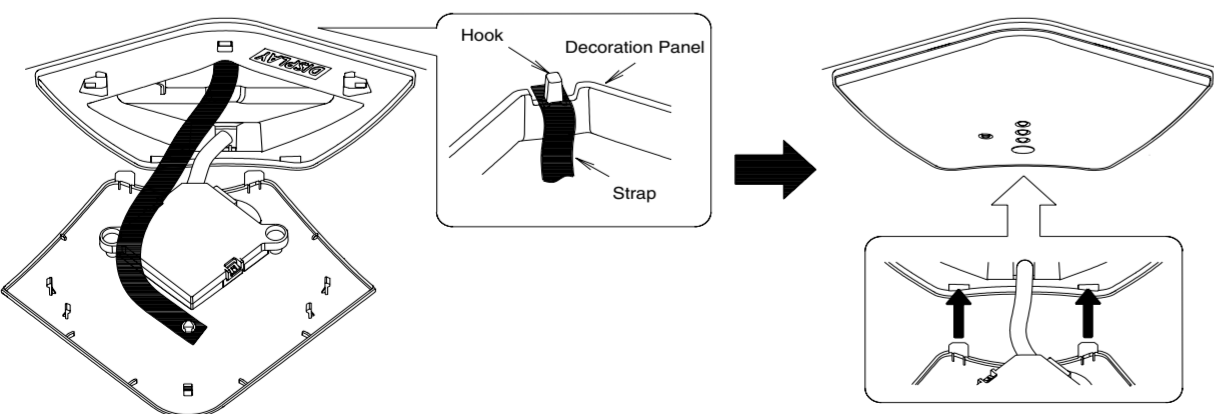
CAUTION

This corner must be mounted onto the RECEIVER UNIT.

- ② Insert the wire from the RECEIVER UNIT into the wiring hole as shown in the figure below and pull it into the Decoration panel.

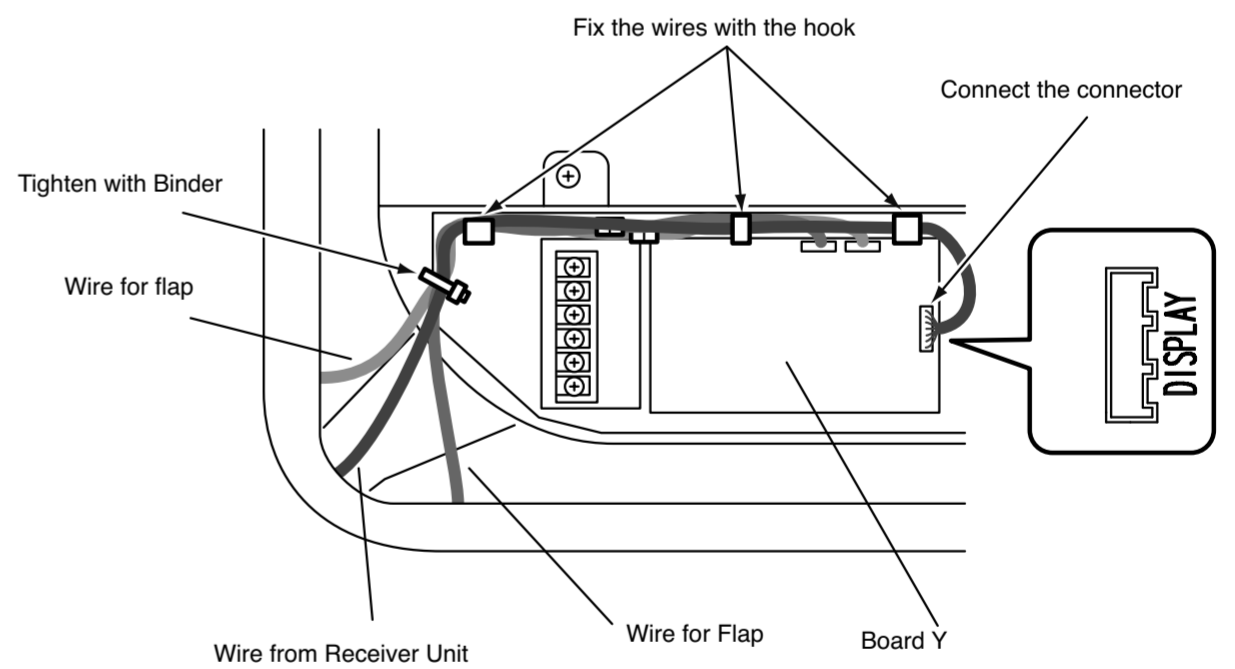


- ③ Hang the STRAP on the hook of the Decoration panel. After that, mount the RECEIVER UNIT onto the Decoration panel.



3. WIRING

- ① Connect the connector to the Board in the CONTROL BOX.
- ② Fix the wires with the hook.
- ③ Bundle the Flap wires (2) to the Receiver Unit wire as shown in the figure below.



4. INSTALLING THE CONTROL BOX COVER

- ① Secure the CONTROL BOX COVER in the procedure that is reverse to the steps in "1. REMOVING THE CONTROL BOX COVER".